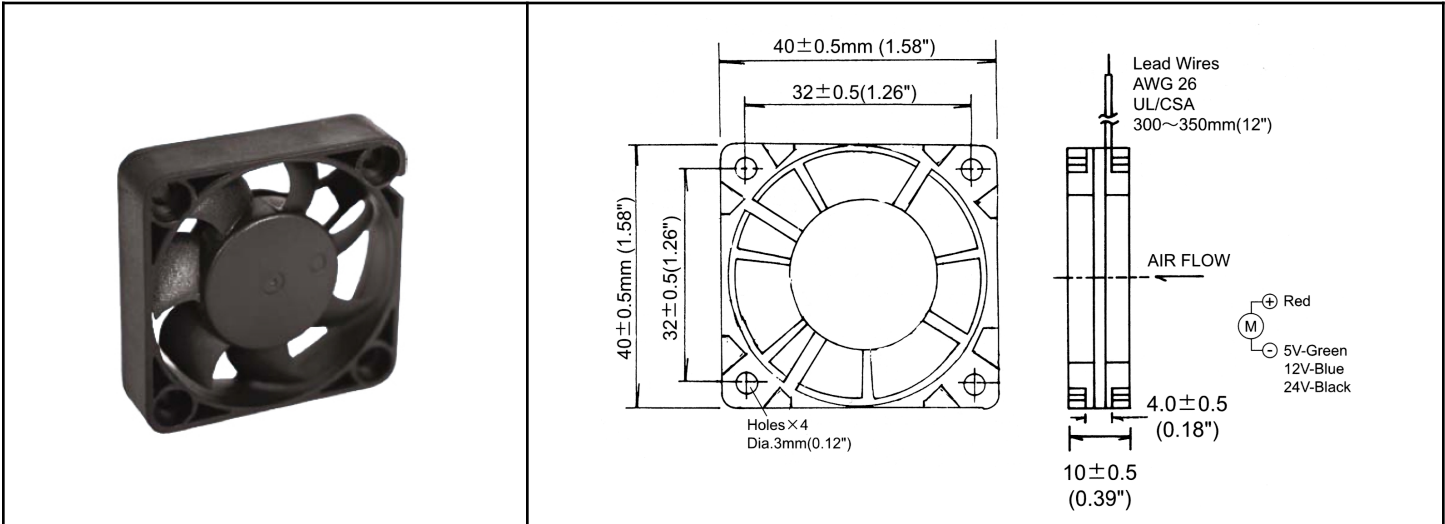


OD4010 Series



DC Fan - 5, 12, 24V
40x10mm (1.58"x 0.39")



Frame & Impeller	PBT, UL94V-O plastic	Available Options: Tachometer (Frequency Generator) White Lead Alarm (Rotation Detector) Yellow Lead <u>Life Expectancy (L10)</u> Ball - 60,000 hrs (45C) Sleeve - 30,000 hrs (45C) <u>Operating Temperature</u> Ball: -20 ~ 80C Sleeve: -10 ~ 60C	
Connection	2x Lead wires 26AWG		
Motor	Brushless DC, auto restart, impedance and polarity protected		
Bearing System	Ball bearing or Sleeve		
Insulation Resistance	10M ohm between leadwire and frame (500VDC)		
Dielectric Strength	1 second at 500 VAC, max leakage - 500 MicroAmp		
Storage Temperature	-30C ~ +90C		

Model Number	Speed (RPM)	Airflow (CFM)	Noise (dB)	Volts DC	Voltage Range (VDC)	Amps	Max. Static Pressure (\"H2O)
OD4010-05H *	7000	4.8	30	5	4 ~ 7	.12	.17
OD4010-05M *	5000	3.8	24	5	4 ~ 7	.10	.14
OD4010-05L *	4000	2.5	20	5	4 ~ 7	.09	.12
OD4010-12H *	8000	5.0	30	12	7 ~ 14	.08	.18
OD4010-12M *	6000	4.0	24	12	7 ~ 14	.07	.14
OD4010-12L *	4000	2.5	20	12	7 ~ 14	.06	.12
OD4010-24H *	8000	5.0	30	24	10 ~ 27	.06	.18
OD4010-24M *	6000	4.0	24	24	10 ~ 27	.05	.14
OD4010-24L *	4000	2.5	20	24	10 ~ 27	.04	.12

* Indicate "B" for ball bearing or "S" for sleeve bearing